

FULLY DIGITAL MINILAB

QSS-2901

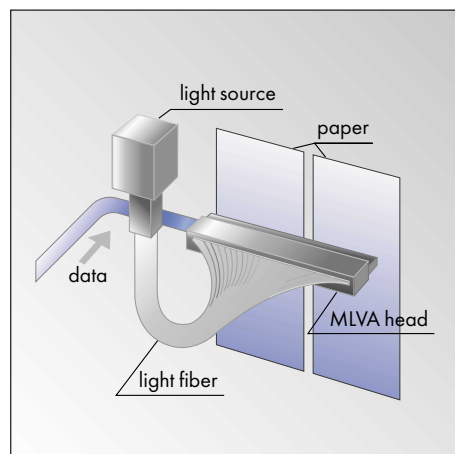
QSS-2901



NORITSU

TECHNICAL SPECIFICATIONS AND FEATURES: DIGITAL ICE™, ADVANCED COLOR CORRECTION, MICRO LIGHT VALVE ARRAY, NETWORKABLE.

FULLY INTEGRATED DIGITAL MINILAB



DIGITAL PROCESSING WITH VIRTUALLY LIMITLESS POSSIBILITIES

Because the QSS-2901 Minilab converts all scanned images into digital data, a wide range of correction measures can be applied to significantly improve contrast, sharpness and red-eye, as well as to minimize problems with exposure, backlighting, and flash photography. Negatives with dust and scratches can be automatically detected and corrected when the standard Digital ICE™ feature is employed.

ADVANCED DIGITAL PRINT ENGINE

The QSS-2901 uses Noritsu's advanced Micro Light Valve Array (MLVA) digital print engine to create 400 dpi resolution digital prints on silver halide paper. Printing on standard silver halide paper not only ensures high quality prints, but significantly reduces production costs.

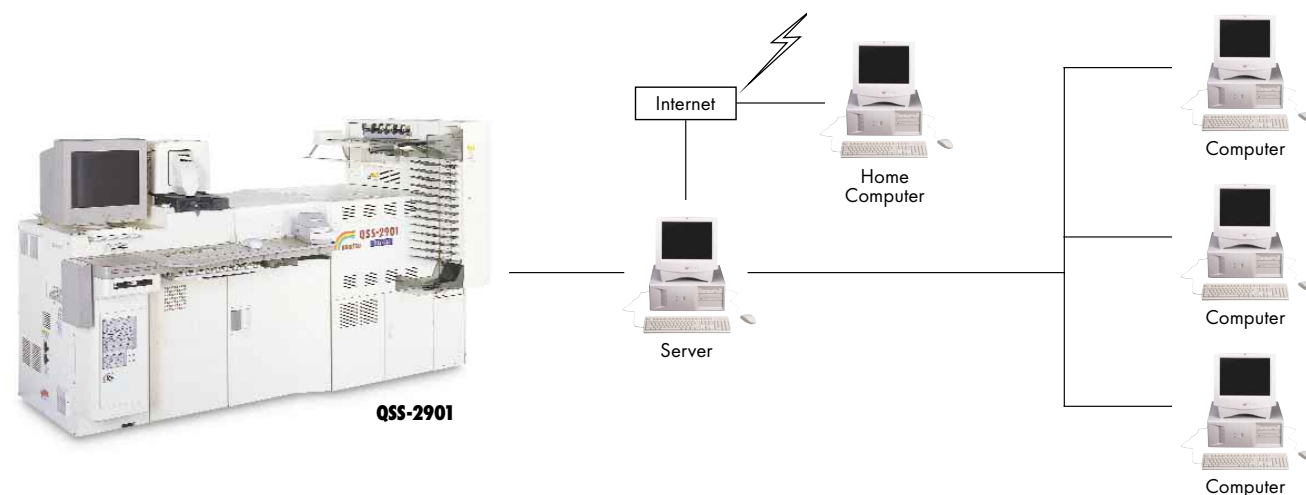
PRODUCE UP TO 1,548 PRINTS/HR.

High speed scanning and the MLVA print engine, combined with speed enhancing features like two lane processing and a dual magazine paper system, makes the QSS-2901 a high performance workhorse capable of producing up to 1,548 3.5" x 5" prints per hour.

COMPACT, EASY TO USE DESIGN

For the first time, Noritsu has integrated the digital input functions and the printer/paper processor into a single, compact machine. The result is a powerful system with the smallest possible footprint. While reducing the overall size, Noritsu expanded the operator/minilab interface with a large 17" color monitor that displays graphic designs and instructions that allow operators even with limited experience, to produce a wide range of prints.

NETWORKABLE FOR DIGITAL PRINTING



IMPORT IMAGES FROM VIRTUALLY ANY DIGITAL MEDIUM



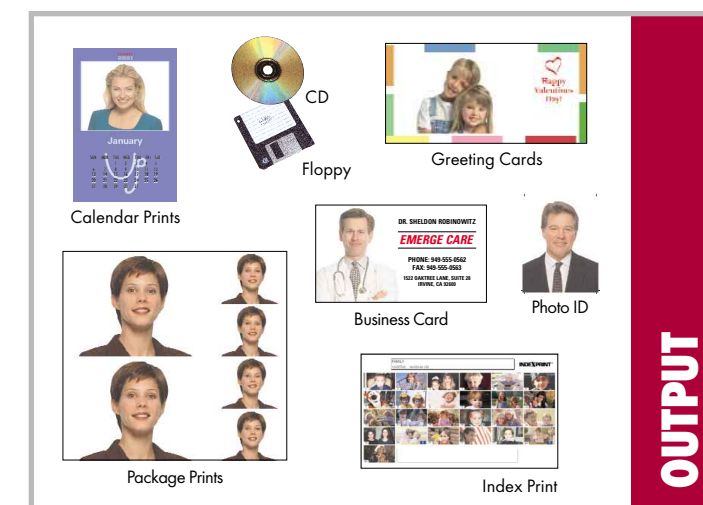
The easy to use QSS-2901 can input and manipulate images from virtually any source, including Flash cards, Zip™ disks, CDs, and digital cameras. Of course, you can still input images captured on the most popular film formats like 35mm and APS.

INPUT



QSS-2901

OUTPUT A WIDE RANGE OF HIGH QUALITY PRINTS



OUTPUT

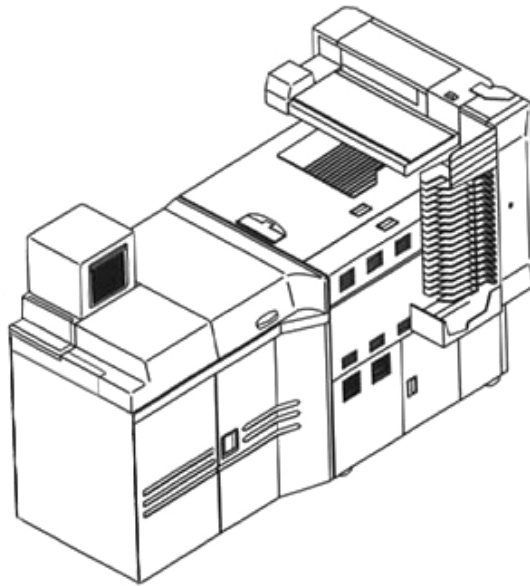
The powerful MLVA print engine outputs Index prints, high quality enlargements up to 12" x 18", and popular specialty prints such as photo business cards, calendar prints, and package prints. In addition, the QSS-2901 lets you store scanned images to digital media like CDs and Zip disks.

SPECIFICATIONS

PRINTER-PROCESSOR SPECIFICATIONS

Exposure Method	MLVA Line exposure method
Print Resolution	400 dpi
Usable Film Formats	110, 135E, 135H, 135P, 135HD, 135FP, IX 240 (C.H.P.) 6X4.5, 6X6, 6X7, 6X8, 6X9
Film Types	Negative, positive and B/W
Paper Widths	3.25", 3.5", 4", 4.5", 4.6", 4.75", 5", 5.25", 6", 6.5", 7", 8", 8.25", 8.5", 9.5", 10", 11", 12"
Paper Advanced Length	3.25" – 18"
Paper Magazine	Dual Paper Magazine System
Maximum Diameter of Paper Roll	9.85" (Paper Length 7")
Compatible Input Media	Standard: FD, CD-ROM, Optional: CD-R/RW, MO, ZIP, DVD, CompactFlash, Smartmedia, PC Card, Flatbed Scanner
Compatible Output Media	Standard: FD Optional: CD-R/RW, MO, ZIP, DVD, CompactFlash, Smartmedia, PC Card
Estimated Processing Capacity	Approx. 1,148 prints/hr. 3R(3.5" X 5") *QSS-2901 (Index not included) Approx. 1,548 prints/hr. 3R(5" X 3.5") Approx. 981 prints/hr. 4R(4" X 6") Approx. 1,383 prints/hr. 4R(6" X 4")

* The actual capacity you achieve may be different. The capacity of the machine varies with the process chemicals used, the condition of the negatives printed, etc.



Modifications can result in changes to specifications, design and size.
Specifications subject to change without notice. QSS and Indexprint™ are registered trademarks of Noritsu.

• **Noritsu America Corporation:** 6900 Noritsu Avenue, Buena Park, California 90620-1372 (714) 521-9040 • **Western Regional Office:** 6950 Noritsu Avenue, Buena Park, California 90620-1311 (714) 521-9040 • **Eastern Regional Office:** 336 Route 46 East, Fairfield, New Jersey 07004-2429 (973) 808-9898 • **Midwest Regional Office:** 755 Tollgate Road, Elgin, Illinois 60123-9334 (847) 888-8000 • **Southern Regional Office:** 2989 North Stemmons Freeway, Dallas, Texas 75247-6193 (214) 631-2400 • **Government Sales Office:** 8000 Towers Crescent Drive, Suite 1350, Tysons Corner, Virginia 22182-2700 (703) 821-0007 • **Subsidiary; Noritsu Canada Ltd.:** 2680 Argenta Road, Mississauga, Ontario, Canada, L5N 5V4 (905) 567-8982 • **Subsidiary; Noritsu de México S.A. de C.V.:** Plaza Mayorazgo de Luyando No. 7, Col. Xoco, Delegación Benito Juárez, C.P. 03330 México, D.F. (52) 5-601-0429 • **Web Site:** www.noritsu.com



www.noritsu.com

NORITSU