



Océ | LightJet 430
Site Preparation Guide

Revision J · June 2005

Document # 3010045572

Océ Display Graphics Systems

© 2002 ALL RIGHTS RESERVED

Table of Contents

Copyright and Document History	iii
Product Support, Documentation and Service.....	iii
Product Compliance and Standards.....	v

1 Introduction 1-1

Using This Guide.....	1-1
Important Safety Information For All Users	1-1

2 System Requirements 2-1

Receiving and Moving the LightJet® 430.....	2-1
Receiving the Shipping Crate.....	2-1
Hallway Requirements.....	2-2
Darkroom Requirements	2-4
Electrical Requirements.....	2-5
AC Power	2-5
Power Factor Correction.....	2-6
GFI Circuit Breakers	2-6
AC Distribution Circuit	2-6
Grounding.....	2-6
Power Cord Specifications	2-7
Power Outlet Specifications	2-7
Environmental Requirements.....	2-8
Heat Removal.....	2-8
House Air	2-9
Environmental Operating Specifications.....	2-10
Shipping and Storage.....	2-10
Shock and Vibration.....	2-10
Customer Equipment Requirements	2-11
Densitometer.....	2-11
Host Computer Requirements.....	2-11
Operator Training	2-14
Supported Media Specifications.....	2-14

Appendix A: Pre-Installation Checklist.....A-A-1

List of Figures

Figure 2-1 LightJet® 430 shipping crate dimensions.	2-2
Figure 2-2 LightJet® 430 dimensions.	2-3
Figure 2-3 Building access requirements.	2-4
Figure 2-4 Darkroom size requirements.	2-5
Figure 2-5 Left side connections.	2-8
Figure 2-6 Right side connections.	2-9
Figure 2-7 PosterShop® and LightJet® FE connectivity and workflow.	2-12

List of Tables

Table 1-1. LightJet® 430 laser specifications.	1-1
Table 2-1. Supported media dimensions.	2-15

Copyright

© 2002 Océ Display Graphics Systems. All rights reserved.

This document contains information proprietary to Océ, to its subsidiaries, or to third parties to which Océ may have a legal obligation to protect such information from unauthorized disclosure, use or duplication. Any disclosure, use, or duplication of this document or of any of the information contained herein for other than the specific purpose for which it was disclosed is expressly prohibited, except as Océ may otherwise agree to in writing. Due to continuing research and product improvements, features or product specifications may change at any time without notice.

History of Document # 3010045572

Date	Revision	Revision Summary
Sept. 10, 2001	E	Additional compliance information; new manual format; updated platform requirements.
Sept. 20, 2001	F	Fixed typo on page A-3.
Dec. 17, 2001	G	Changed LightJet FE Host requirements, replaced Gretag with Océ.
Feb. 13, 2002	H	Added info that manual also covers LightJet 430RS.
Apr. 16, 2002	I	Added note on page 2-9 about clean dry air being necessary. Updated phone numbers for service contacts.
June 12, 2005	J	Updated temperature spec, service and PosterShop information.

Product Support, Documentation and Service

For further information on documentation and support for your LightJet® 430 or for information on other Océ Display Graphics Systems, please contact:

Océ Display Graphics Systems
13231 Delf Place, #501
Richmond, British Columbia, Canada V6V 2C3
Phone: (604) 273-7730 Fax: (604) 273-2775
Web: <http://www.dgs.oce.com>
FTP Site: <http://www.symbolic.com/ftp.html>

Comments on this guide?

Please feel free to contact us at: Technical.Writer@dgs.oceusa.com

Océ maintains a comprehensive support structure for its LightJet® customers. Upon installation of your printer, you will be provided with the name of the sales and service office responsible for your account. Record this information, along with the serial number of your LightJet® 430. Always report service problems to the office assigned to your account at installation. Contacting the factory directly may cause unnecessary delays in resolving your service issue.

LightJet 430 site preparation guide

For technical support call your local Océ service centre. If we are unable to resolve your problem over the telephone, field engineers can be dispatched to your site to conduct repairs. Service visits are paid for by the customer, either under a maintenance agreement or by purchase order or prepayment. Time and material rates are charged for any service not covered under a maintenance agreement. Before calling to report a problem, gather as much information about the problem as possible and have it ready to provide to the customer care center engineer. The more information you can provide initially, the more quickly the problem can be corrected.

Product Compliance and Standards

Electromagnetic Compatibility

This equipment generates, uses and radiates radio frequency energy and if not installed and used as designed or intended, may cause interference to radio communications. This equipment has been tested and found to comply with the limits for a Class A computing device. This equipment has been designed to provide reasonable protection against such interference when operated in residential and commercial environments. Operation of this equipment in a residential area may cause interference, in which case the user, at his own expense, is required to take whatever measures are required to correct the interference.

United States Of America - FCC

This device complies with Part 15 of the FCC Rules. Operation is subject to the following two conditions: (1) This device may not cause harmful interference, and (2) This device must accept any interference received, including interference that may cause undesired operation.

Canada - ICES-003

This Class A/B digital apparatus meets all requirements of the Canadian Interference-Causing Equipment Regulations.

Cet appareil numerique de la classe A/B respecte toutes les exigences du Reglement sur le materiel brouilleur du Canada.

European Community - EMC

This device complies with Class A/B emission limits in accordance with EN55022.

Electromagnetic compatibility - Emissions	89/336/EEC
Electromagnetic compatibility - Immunity	89/336/EEC

Electrical Safety

This equipment has been tested and found to comply with the following electrical safety standards:

North America

Canada	CSA 950
United States of America	UL 1950

European Community

EN60950	Low Voltage Directive	73/23/EEC
EN60204-1	Machinery Directive	93/68/EEC

Laser Safety

This equipment is a Class 1 laser product which is safe under all operating conditions. The following standards were used to evaluate compliance:

<u>United States of America</u>	
Center for Devices and Radiological Health (CDRH)	21 CFR 1040
<u>Canada and European Community</u>	
Safety of Laser Products	EN60825-1

End of Section

1 Introduction

This manual is applicable to both the LightJet 430 and LightJet 430RS printers. All references to the LightJet 430 also refer to the LightJet 430RS.

The LightJet® 430 is a wide format digital color printer capable of producing large photographic quality images on various paper and film materials from several data formats. The photographic media is held stationary during imaging in an internal drum. Media advances are required between imaging times. The standard operating mode of the printer is roll to roll.

Using This Guide

This Site Preparation Guide describes the physical attributes and site requirements necessary for installing and operating the LightJet® 430 digital photo printer. The guide is structured as follows:

- Chapter One describes the contents of the document and some important safety information for all users of the printer.
- Chapter Two describes the shipping, handling, location and installation requirements for the LightJet® 430, including customer-supplied equipment.
- Appendix A is a Pre-installation Site Checklist that will help you ensure that your site is prepared for LightJet® 430 installation.

Important Safety Information For All Users

This is a Class 1 laser product meeting laser safety requirements of 21 CFR 1040 and EN60825-1 as applicable. Laser devices contained within this equipment are hazardous. All procedures necessary to perform user functions are outlined in this document. Internal lasers have the following output characteristics under maximum conditions:

Laser Type	Wavelength (nm)	Output Power (mW)	Beam Divergence (mRad)
Helium Neon (HeNe) Red Laser:	633	1.4	1.4
Helium Neon (HeNe) Green Laser:	543	1.7	1.0
Argon (Ar+) Blue Laser:	458	2.5	1.0

Table 1-1. LightJet® 430 laser specifications

CAUTION **DANGER: LASER RADIATION: THIS EQUIPMENT WILL EMIT LASER RADIATION WHEN OPEN AND INTERLOCK SWITCHES DEFEATED. AVOID EYE EXPOSURE TO DIRECT AND SCATTERED LASER RADIATION.**

DANGER: RADIATIONS LASER: CET ÉQUIPEMENT PEUT ÉMETTRE DES RADIATIONS LASER LORSQU'IL EST OUVERT ET EN CAS DE DÉFAILLANCE DES INTERRUPTEURS DE SECURITÉ. EVITER TOUT CONTACT DES YEUX AUX RAYONS DIRECTS ET INDIRECTS DES LASERS.

GEFAHR: LASERSTRAHLUNG: IM OFFENEM ZUSTAND UND MIT ÜBERBRÜCKTEN SICHERUNGSSCHALTERN WIRD VON DIESEM GERÄT LASERSTRAHLUNG EMITTIERT. VERMEIDEN SIE DIE BESTRAHLUNG DER AUGEN DURCH DIREKTE ODER GETREUTE LASERSTRAHLUNG.

CAUTION **CAUTION: USE OF CONTROL OR ADJUSTMENTS OR PERFORMANCE OF PROCEDURES OTHER THAN THOSE SPECIFIED HEREIN MAY RESULT IN HAZARDOUS LASER RADIATION EXPOSURE.**

ATTENTION: LE CONTROLE ET L'AJUSTEMENT AINSI QUE LA MODIFICATION DES PERFORMANCES AUTRES QUE CEUX STIPULÉS DANS CE MANUEL PEUVENT CRÉER DES EFFETS IMPRÉVUS DE LA RADIATION LASER.

VORSICHT: ANDERE, ALS HIER VORGESCHRIEBENE, BENUTZUNG VON KONTROLLSCHALTERN, JUSTIERUNGEN UND DURCHFUEHRUNG VON VORSCHRIFTEN, KANN ZU GEFAEHRLICHER BESTRAHLUNG FUEHREN.

End of Section

2 System Requirements

NOTE The LightJet® 430 is a digital photo printer intended for operation under conditions of a controlled environment. Photo printers are classified as information technology equipment (ITE), and are subject to applicable ITE test and working environment standards. Deployment of this equipment in an environment or under conditions other than specified and/or recommended may result in degradation of machine performance.

Receiving and Moving the LightJet® 430

Receiving the Shipping Crate

The LightJet® 430 is a delicate precision piece of equipment that requires special handling. Consequently, it is essential to have the proper equipment available for handling and moving the shipping crate. The printer is shipped in a wooden crate with the dimensions shown in Figure 2-1. The loaded crate weighs approximately 970 kg (2134 lb). It is the customer's responsibility to provide a forklift large enough to lift 1200 kg (-2500 lb). The crate is equipped with shock watches and can be fork-lifted from the front or rear sides only.

Receiving the equipment will be easiest in facilities with loading docks. It is recommended that customers without a loading dock arrange for the equipment to be uncrated at a local moving company's warehouse before moving it to the site¹.

The crate comes equipped with a ramp that allows the LightJet® 430 to be rolled out of the crate on its casters. The machine must be uncrated by a qualified service engineer.

Notes:

¹ Please indicate clearly on the pre-site checklist whether the equipment can be uncrated at the installation site.

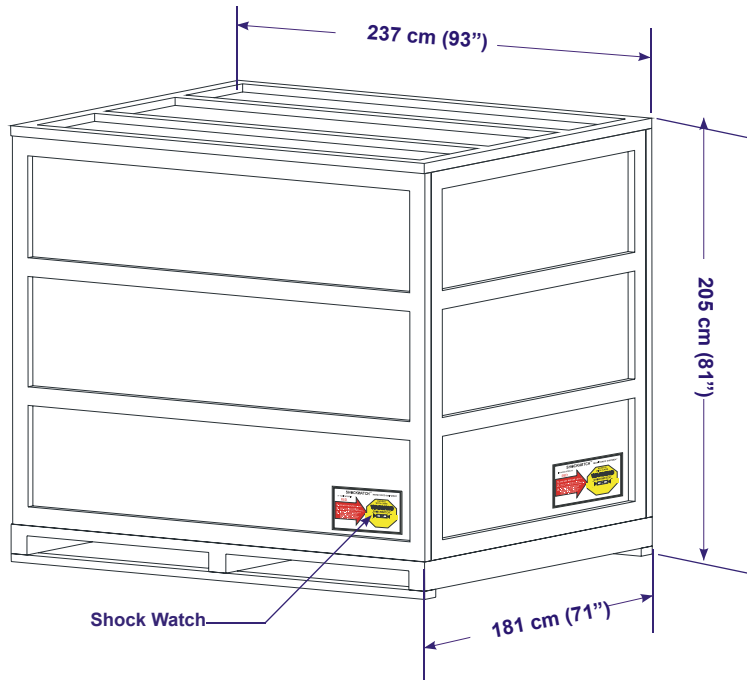


Figure 2-1 LightJet® 430 shipping crate dimensions.

Hallway Requirements

Once uncrated, the LightJet® 430 can be rolled on its own casters. The printer weighs approximately 818 kg (1800 lb). To prevent collisions and/or damage, it is recommended that at least two people move it. The equipment will roll most easily on level concrete or tile floors; this should be considered when selecting the installation route and final location. The dimensions of the LightJet® 430 are shown in Figure 2-2.¹ Figure 2-3 illustrates minimum size requirements for the installation route.

To provide reasonable access around corners, the hallways and doorways must be a minimum of 213 cm (7') wide. If the approach from the hallway is straight through the doorway, the doorway must be a minimum of 183 cm (6'). Figure 2-3 illustrates the hallway and access door sizes required to move the LightJet® 430 from the receiving dock to the darkroom.

Notes:

¹ When the media door is open, the printer is 224 cm (88") wide x 193 cm (76") long x 150 cm (59") deep.

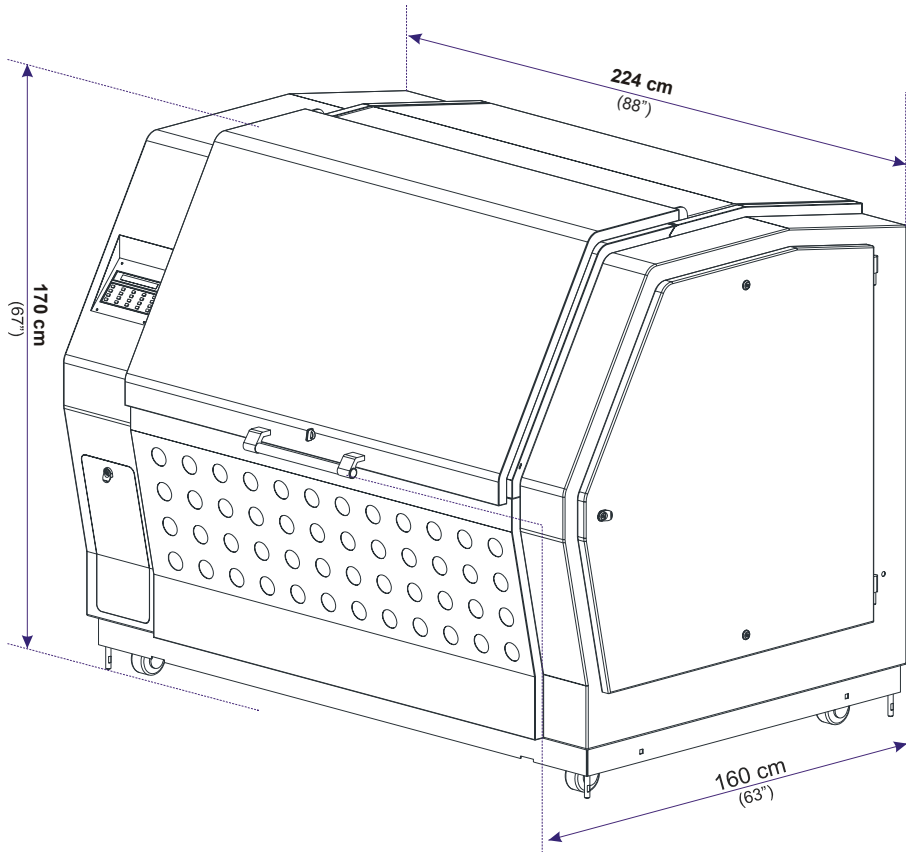


Figure 2-2 *LightJet*[®] 430 dimensions.

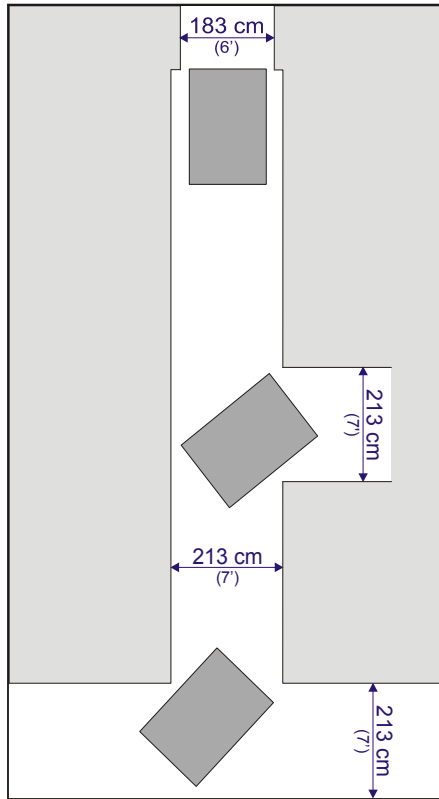


Figure 2-3 Building access requirements.

Darkroom Requirements

The LightJet® 430 must be installed in a darkroom environment to allow for loading and unloading of photographic media. With the covers closed, the printer can operate under lighting conditions found in a normal working environment. The room size required is illustrated in Figure 2-4.¹ The room dimensions specified are minimum requirements and must not be reduced.²

Notes:

¹ This requirement assumes that the rear of the machine is placed 15 cm (6") from one wall, as illustrated. This gap between the wall and printer is necessary for sufficient air circulation.

² The minimum room size listed here accommodates installation, direct operation and servicing of the LightJet® 430. Any additional equipment housed in the room will increase space requirements accordingly.

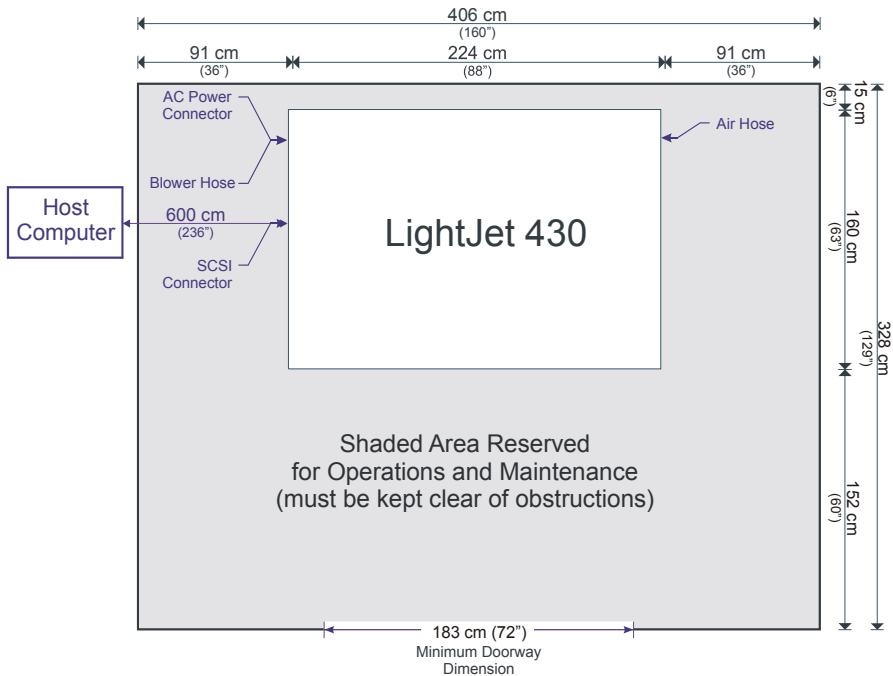


Figure 2-4 Darkroom size requirements.

NOTE The area around the machine must be kept clear of obstructions. Cables must be managed to prevent tripping.

We recommend that the host computer reside in a room adjacent to the darkroom. This allows host operation to continue during periods when the darkroom lights must be turned off for media loading or unloading.

Electrical Requirements

AC Power

The LightJet® 430 operates over the following range of voltages and frequencies:

- Voltage: 200-240 VAC -10% +6%
- Frequency: Single phase 47 to 63 Hz
- Current: 10 AMPS maximum steady state
- Power: 1100 V·A typical, 2000 V·A max.

The printer requires a dedicated circuit breaker with a capacity of 15 amps.

IMPORTANT Unplugging the power cord from the wall socket is the only way to isolate the entire machine.

CAUTION CAUTION: THE SOCKET OUTLET MUST BE INSTALLED NEAR THE EQUIPMENT AND BE EASILY ACCESSIBLE.

ATTENTION: LE SOCLE DE PRISE DE COURANT DOIT ÊTRE INSTALLÉ A PROXIMITÉ DU MATÉRIEL ET DOIT ÊTRE AISÉMENT ACCESSIBLE.

VORSICHT: DIE STECKDOSE SOLLTE NAHE AN DER MASCHINE UND BEGUEM ZUGÄNGLECH SEIN.

Power Factor Correction

LightJet® 430 meets EN61000-3-2. The use of power factor correction reduces line frequency harmonic currents to within acceptable limits.

GFI Circuit Breakers

Due to the use of electromagnetic interference (EMI) filters required to meet conducted radio frequency emission standards, the system is not compatible with ground fault interrupting (GFI) circuit breakers. Use standard thermal circuit breakers where possible.¹

For protection of personnel and equipment, use an appropriately rated and protected AC circuit to supply power to the LightJet® 430.

AC Distribution Circuit

The LightJet® 430 requires a dedicated AC distribution circuit, which means a separate branch circuit with an individual circuit protection device.

Grounding

The LightJet® 430 requires an isolated ground, which means an insulated equipment grounding conductor running with the supply conductors. The ground conductor is connected to the equipment grounding bus in the main service panel or in a separately derived system such as a constant voltage transformer, if one is to be used.

Notes:

¹ If standard thermal circuit breakers are used (standard in private homes and most office environments, there is a potential for nuisance tripping of the breaker due to inrush currents during equipment start-up. If this becomes a problem, we recommend the use of a breaker with higher inrush current capabilities or a circuit breaker designed for thermal-magnetic operation.

Separate, full-size insulated power and ground wires are required on all dedicated circuits. No chained grounds are permitted.¹ Use of the conduit as the equipment grounding conductor is not permitted on isolated ground receptacles.²

Power Cord Specifications

The appropriate cord set is supplied with each machine. For replacement cord sets, contact the following suppliers:

North America

Manufacturer	Panel Components
Manufacturer's Part #	98030200.10470.2
Description	IEC 320 Power Cord Set
Length	244 cm (8 feet)
Cordage Rating	14/3 AWG
Plug	250 VAC 15 Amperes NEMA 6-15P
Océ Reference #	37662

Europe³

Manufacturer	Panel Components
Manufacturer's Part #	98010801.10074.2
Description	IEC 320 Power Cord Set
Length	244 cm (8 feet)
Cordage Rating	3 × 1.5 mm <HAR>
Océ Reference #	40889

Power Outlet Specifications

The AC power outlet must be located such that no more than an 8 foot power cord is used to connect to the printer. In North America, the outlet requires a matching 250 VAC 15 ampere NEMA 6-15R receptacle.⁴

Notes:

¹ US customers: refer to National Electrical Code article 250-74, exception # 4.

² These requirements do not supplant national, state or local codes. Check the applicable electrical codes to ensure compliance.

³ The manufacturer of the European cordset is located in the United States. No international supplier has been identified.

⁴ Outside North America, an approved plug and receptacle rated for at least 15 amps at 230 VAC must be installed. The customer is responsible for providing a power conditioning device if the AC power does not meet the above requirements due to such conditions as “brown outs” (<207 VAC) or voltage transients.

Environmental Requirements

Heat Removal

The LightJet® 430 can produce up to 8200 BTU per hour (2380 watts) and must have adequate heat removal. Ensure the darkroom is equipped as follows:

- A dedicated 3" (76mm) unrestricted air duct and flexible hose (max. length-15' or 4.6 m) directing the heated air out of the darkroom. This will remove 5000 BTU per hour (1440 watts) from the machine. Use metal or plastic clamps to secure the hose to the machine. As shown in Figure 2-5, locate the air duct on the wall behind the machine or in the ceiling.
- Air conditioning, capable of removing the remaining 3200 BTU per hour (940 watts) generated by the machine.
- If the 3" (76 mm) duct is not used, an air conditioning system capable of removing 8200 BTU per hour (2380 watts) must be used.

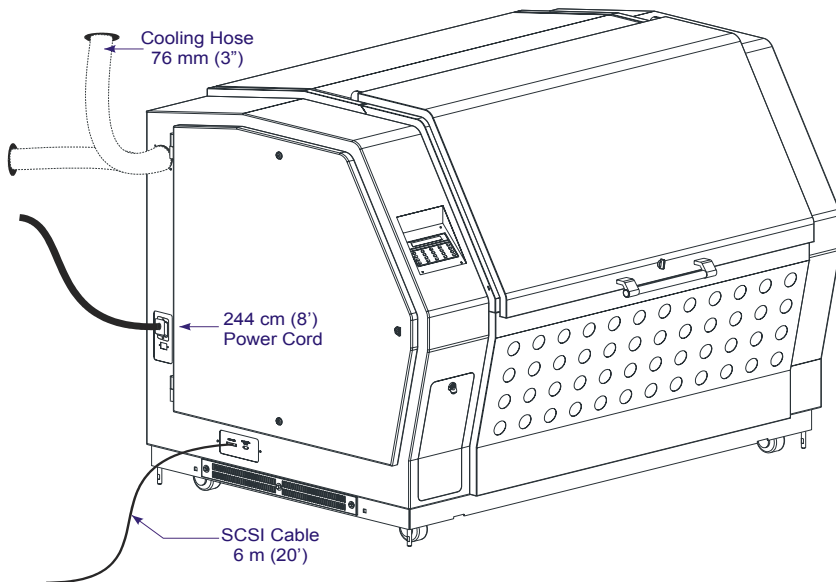


Figure 2-5 Left side connections.

House Air

It is the customer's responsibility to provide compressed air to the LightJet® 430. As shown in Figure 2-6, a 6.35 mm (1/4") hose (no fittings required) is required to deliver compressed air to the printer.

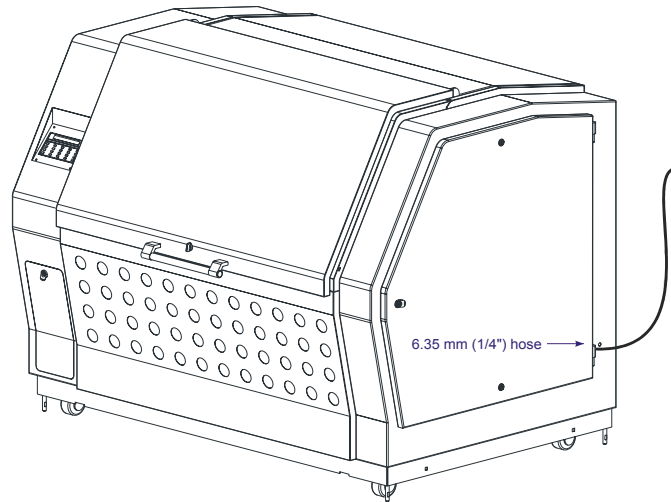


Figure 2-6 Right side connections.

The air supply must meet the following minimum requirements:

- Volume flow - 1 CFM
- Pressure - 70 psi regulated

Air supplied to the machine must pass through an air preparation unit that contains the following:

- Air filter - 5.0 micron element complete with an auto drain
- Coalescing filter - 99.97% coalescing efficiency with an auto drain
- Regulator - complete with pressure gauge
- Levered (1/4 turn) ball valve (optional) - turns the air off

NOTE If anything other than clean dry air is sent to the air bearings in the micropositioner, the air ports within the micropositioner can become clogged. There is no way to repair this in the field and the entire LightJet must be returned to the factory for repair.

Environmental Operating Specifications

Temperature: 19°C to 28°C (66°F to 82°F) within a 5°C band

Relative humidity: 40% to 60%

Altitude: 0 to 2 286 meters (0 to 7 500 feet)

Shipping and Storage

These specifications apply to any LightJet® 430 shipped and stored in its own crate.

- Temperature: -30°C to +50°C (-22°F to +122°F)
- Relative humidity: 0% to 95%, non-condensing
- Altitude: 0 to 10 668 meters (0 to 35 000 feet)

The machine should not be stored longer than 1 month in an environment with a relative humidity greater than 60%.

Shock and Vibration

The LightJet® 430 functions normally in a typical office or photolab environment. Vibrations generated by office equipment such as photocopiers and film or paper processors will produce no visible image artifacts.

Vibrations generated from machinery such as air compressors and pumps may affect image quality and are not considered part of an acceptable operating environment. It may be necessary to consult a third party to isolate the source of such vibrations.

It is recommended that the LightJet® 430 be installed on a stiff, well supported floor (a concrete floor is ideal) to minimize transmission of vibration and shock to the machine from other equipment. A poorly supported floor may transmit shock loads to the machine from people or equipment moving by. Covering high traffic walkways with thick foam underlay and carpet may minimize such effects. In some cases, it may be necessary to consult a third party to recommend building improvements to reduce the effects of shock and vibration.

Occasional shock and vibration generated from seismic activity or other sources, such as a train going by on a nearby railway, are not considered part of a normal operating environment. The printer, however, will withstand these influences with no permanent effects on operating specifications. Printing may have to be suspended during such periods.

Packed in its crate, the LightJet® 430 can withstand normal vibrations from road or air travel. Severe shock, however, may damage the precision optical and mechanical components within the machine. The shipping crate is fitted with shock watches that turn from white to red when their

specified limits have been exceeded. Tamper-proof seals are also added to ensure the crate has not been opened and the contents interfered with.

Customer Equipment Requirements

Densitometer

A color transmission/reflective densitometer is used in the calibration of the LightJet® 430; it has the following specifications:

- Status A red, green, and blue filters
- Status M red, green, and blue filters
- 5 mm aperture
- Measuring range 0 to 4.00D
- Accuracy 0.02D from 0 to 3.0D
- Repeatability $\pm 0.01D$
- Zero stability $\pm 0.02D$ (maximum per 8 hours)
- Accurate calibration method

X-Rite models 892 can be directly connected to the host computer for automatic entry of density information.

The X-Rite 892 is a scanning densitometer and requires the following cables when connecting directly to the host computer: telecom to 9 pin DB style (null configured) adapter p/n 881-91, and telecom cable p/n SE108-69. To order the X-Rite 892 with these components included, quote X-Rite part number MA58-74. Order from:

X-Rite, Incorporated
3100 44th Street, SW
Grandville, Michigan 49418 USA
Web: www.x-rite.com

Phone: 616-534-7663
Fax: 616-534-8960

Host Computer Requirements

The LightJet® 430 requires at least two computers, one for running LightJet® FE software and one for running Onyx PosterShop®. It is the customer's responsibility to procure and configure computer hardware which, at the minimum, meets the software's basic computational and data handling needs. As shown in Figure 2-7, the host computer runs LightJet® FE, which performs the following tasks:

- Pulls image data from the PosterShop® computer
- Spools the image data onto the host computer

- Sends image data to the LightJet® 430
- Runs the diagnostic software for trouble shooting
- Runs calibration software

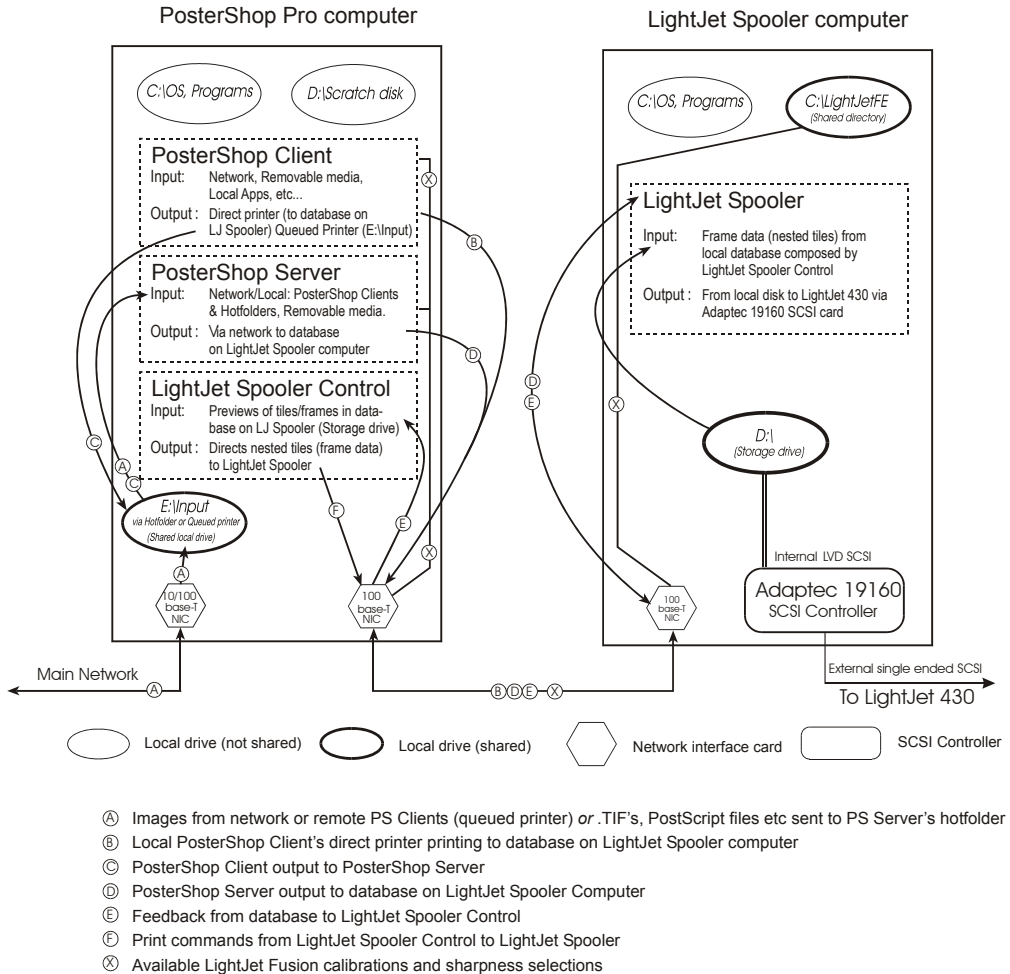


Figure 2-7 PosterShop® and LightJet® FE connectivity and workflow.

LightJet® FE Host Requirements

Selection of the host platform will have an impact on production throughput.¹ The following are the LightJet® 430 host computer's **minimum** hardware and software requirements for printing with PosterShop. For the most recent hardware and software recommendations, consult the support pages of our web site at <http://www.cymbolic.com/ftp.html>.

Minimum Requirements:

- CPU – any current processor
- 1 GB RAM
- 80 GB IDE, 7200 RPM hard disk
- Adaptec 2910 SCSI controller
- 100 Base T Network card
- Windows XP Pro

Hard drives - SCSI hard drives provide the superior performance required for this application. Ultra 160 hard drives offer exceptional performance, especially in the high RPM versions (10,000 rpm). One large Ultra 160 hard drive is required to spool data to the host and send data to the LightJet® 430 simultaneously.²

SCSI Controllers – The Adaptec 19160 is the recommended SCSI controller. If the hard drive used for the operating system is SCSI, two controllers are required. The first is for the operating system hard drive and other peripherals. The second is for the imaging hard disk and communication with the LightJet® 430.

Windows XP Pro - Configure the operating system for the maximum recommended virtual memory. Disks are formatted as NTFS. Load all current Microsoft Service Packs (up to Service Pack 2). Do not use screen savers because they significantly drain CPU resources. The system should be as "clean" as possible with a minimum of extraneous applications loaded. The two drives for image data should be completely free of user data.

Network - Use PCI network interface cards. PosterShop needs only the Netbeui protocol to communicate with the LightJet (unnecessary protocols use up computer resources).

Host configuration for "Plug & Play" computers – "Plug & Play" support is available for most new computers. "Plug & Play" automatically configures the adapters, but this automatic configuration may not be correct. Consult your host computer supplier for more information on adapter configuration.

Notes:

¹ Specifications and design are subject to change without notice.

² Hard drives must be connected to the internal LVD Ultra 160 channel on the Adaptec card.

Onyx PosterShop® Pro Server Requirements

Onyx PosterShop® software is the imposition software used to generate the image files that are queued to LightJet® FE for printing on the LightJet® 430. For the most recent hardware and software recommendations go to the Onyx web site:

http://www.onyxgfx.com/solutions_postershop.html

Operator Training

The LightJet® 430 is the fastest, highest quality, wide format digital photo printer available. Maximum performance requires a properly trained operator. Océ trains the operator in the use of the LightJet® 430 hardware and the configuration of software at installation. This is not a substitute for formal PosterShop® training.

Operators of the LightJet® 430 should be fully versed in the operation of Onyx PosterShop® Pro Server. For any operator(s) unfamiliar with its operation, Onyx PosterShop® training is required. On-site or off-site training courses are available; contact Onyx Graphics Corporation for more information:

Visit http://www.onyxgfx.com/support_training.html

or

call 1-800-828-0723 (in North America).

Supported Media Specifications

The LightJet® 430 can image on the following media types and sizes:

Supported RA4 Media Types			
	Paper	Trans	Flex
Supported Length (maximum):	50 m (164')	30.5 m (100')	30.5 m (100')
Supported Widths for All Three Media Types			
76 cm (30")	81 cm (32")	102 cm (40")	127 cm (50")

Table 2-1. Supported media dimensions.

Océ Display Graphics Systems and/or the respective media manufacturer have tested and authorized the use of certain media materials. These materials have been certified to perform at acceptable levels on a properly functioning system. Please consult the FTP site at <http://www.cymbolic.com/ftp.html> for a current list of qualified media.

End of Section

THIS PAGE INTENTIONALLY LEFT BLANK

Appendix A: Pre-Installation Checklist

The purpose of this checklist is to help you prepare your site to accommodate the LightJet® 430 imaging system. If you have any questions regarding the contents of this checklist or how your site should be prepared, contact Océ (see “Product Support, Documentation and Service” on page iii) or your regional distributor.

To ensure that the installation will be performed efficiently, please review this document carefully and send the completed checklist to us at least three weeks before the scheduled installation date. This will allow us enough time to help you correct any possible deficiencies and help us plan the installation accordingly. Fax the completed list to the attention of “Service Administrator” at the office nearest you (see “Product Support, Documentation and Service” on page iii).

A well-prepared site will minimize installation time, provide an optimized environment for the LightJet® system and hence, reliable operation.

IMPORTANT A completed copy of the following form must be returned to your local Océ Service Administrator prior to product shipment.

Customer Information

Company: _____	Date: _____
Contact: _____	Distributor: _____
Address: _____	Contact: _____

Phone: _____	

System Requirements Checklist

Requirement	Y	N
Space and Location Requirements:		
Page 2-1		
Building Access with Loading Dock		
Loading Dock adequate to uncrate at customer facility		
Fork Lift available (~2500lb / 1200kg. Capability)		
Clear path from loading dock to darkroom		
Darkroom dimensions: 403 cm (158.5") × 335 cm (132")		
Electrical & Air Requirements:		
Page 2-5		
Circuit Breaker Amp Rating (magnetic hydraulic - 15 amp)		
Dedicated Circuit		
Isolated Grounding		
Voltage and Frequency (200/240 VAC -10% +6%, 47-63 Hz 2000 V·A max)		
Wall Outlet		
Environmental Requirements:		
Page 2-8		
Darkroom Temperature		
Darkroom Humidity		

Requirement	Y	N
Darkroom Shock and Vibration		
Darkroom Heat Removal		
Air conditioning available (can remove 8530 BTU/hr.)		
Dedicated air duct (76mm/3")		
House Air with 6.35 mm (1/4") hose		
Customer Equipment Requirements:	Page 2-11	
Qualified media on hand (minimum 2 rolls of same emulsion each)		
Type: _____		
Type: _____		
Processor Monitored and Graphed (one per processor setup)		
Densitometer (status A reflective/transmissive)		
LightJet® FE Host Computer with minimum or greater hardware and software components		
PosterShop® Server Computer with minimum or greater hardware and software components		
Onyx PosterShop® Training for operator(s)		

Site Information

Information	Yes	No	Model/Make
Densitometer is calibrated			
Viewing aperture of 5mm			
Current reflective test standard Expiration Date: _____			
Scanner located in-house			
Drum: _____			
Flatbed: _____			
Data Throughput Discussed			
Customer requested installation date: _____			

Application Information

Information	Yes	No	Product Name	Software Version	Host Platform
RIP Software					
Primary Page Layout Software (Vector)					
Primary Image Editing Software (Raster)					
Data Transport Method (e.g. Network 100baseT or Jaz)					
Type: _____					
Type: _____					
Type: _____					
Other digital output devices:					
Film Recorder					
Inkjet					
E-Stat printer (e.g. Raster Graphics)					
Other(s): _____					
Color Management System					

Additional Installation Comments

Installation Start Date: _____

The customer agrees to have an operator available for the installation. This will allow the customer to get into production as quickly as possible.

Signature of Océ Representative

Signature of Customer

Print Name

Print Name

End of Section

THIS PAGE INTENTIONALLY LEFT BLANK